

HIGH REL WATER TIGHT MOUSE

CONSTRUCTION

- Solid State Welded (hermetically sealed) mining and underwater mouse.
- Solid state stainless steel construction
- Internal electronics can be provided with either cursor control, game control or digital outputs
- Package provides up to four axis (8 directions) of control
- Light industrial packages comes in light weight aluminum sealed configurations
- Force proportional or user feed-back position proportional input buttons available

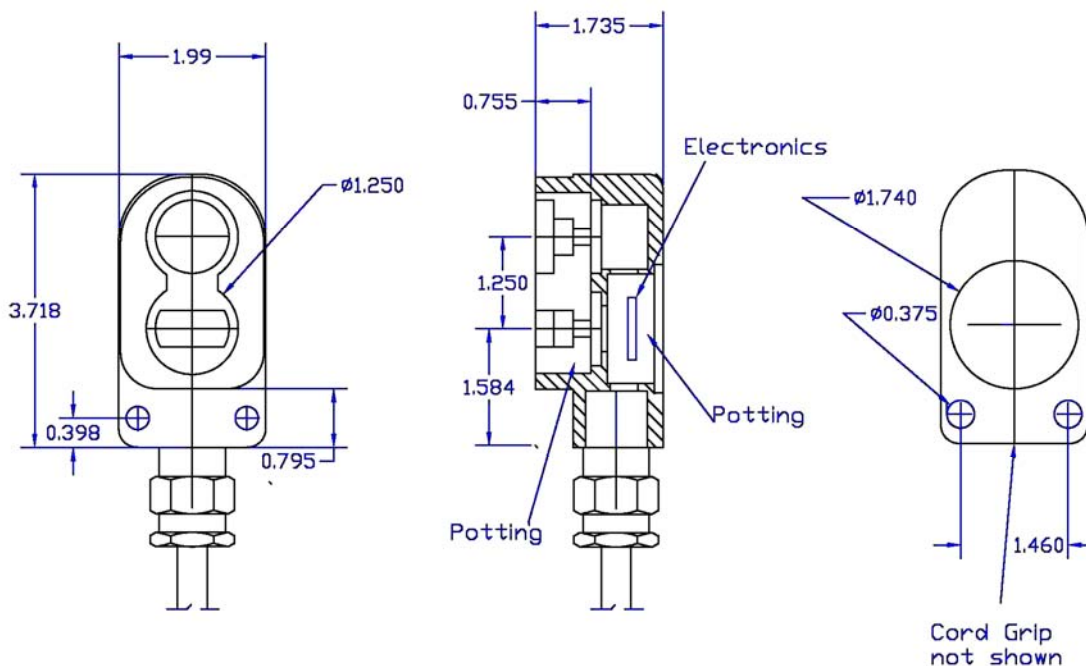


ADVANTAGES

- Solid State input devices and sensors without moving or rubbing parts for ultimate life, survivability and performance
- Meets/exceeds Automotive EMI/RFI susceptibility requirements and MSHA certification standards
- Increased reliability and substantially longer life capability than potentiometer and optical joysticks
- Meets the most stringent environmental requirements
- Programmable microprocessor based electronics

OPTIONS

- Fully Welded Stainless Steel Input Device with force proportional inputs
- Anodized Aluminum Sealed Device with either force proportional or position proportional inputs
- Miniature Low Cost input mouse with force proportional inputs and light aluminum body
- USB interface output on all models with optional:
 - USB Cursor
 - USB Game
 - Custom serial interface output
- Programmable Interface can be configured to re-program over USB or with programming cables brought out to connector



Configuration Shown Available in All Welded and Potted Stainless Steel and Potted and Sealed Aluminum Packages

Bokam

GENERAL SPECS:

Number of Axis:	2 Input devices with up to two axis each
Operational Force	11.2Lb for force proportional units
Max Force	112Lb
Electrical Interface	Pig-tail
Operational Life	10,000,000+ cycles

ELECTRICAL SPECS:

Excitation Voltage:	5V DC Regulated
Outputs:	USB Game USB Cursor
Current Draw	<40mA fully loaded
Dead Band	Electrically Adjustable during calibration
USB Standards Outputs	High Speed 2.0 USB or Low speed available

ENVIRONMENTAL SPECIFICATIONS:

- | | | | |
|----------------|--|---------------------|---|
| • Temperature | Operating: -20C to +55C
Storage: -54C to +85C
Shock: -37C to +71C for 5 Cycles | • Salt Fog | 35C, 5% salt solution for 98 hrs |
| • Shock | +50G, 11mS, half sine, 3 cycles 3 axis | • Dust and Sand: | 23C and 63C for 6 hrs each level 200 ft/min |
| • Vibration | 10-55Hz at 0.6DA, 55-2000Hz at 10 G (trans allowed to give output w/o hands on) | • NBS: | Low pressure wash |
| • Driving Rain | 200+/- 50mm/hr for 60 min | • Life, Mechanical: | 1,000,000,000 cycles max Force |
| • Humidity: | 30C to 71C, 10 cycles 94% +/-4% RH for 240 Hrs | • Solar Radiation: | -32C to +49C, peak 1120W/M2 |
| | | • Water Res: | One meter (39.4inches) for 2 hrs + |
| | | • Altitude: | 15,000ft (Test Seal at 1 |

Note: Units operate with all standard drivers. As a cursor control device the unit works with all Microsoft and Linux drivers. USB Game operates as standard Microsoft USB game controller.

Consult Factory for Part Number Assignments, Custom Electronic Interfaces
Customer Specific Grip Mounted Features and Input Devices

Bokam Engineering Inc.
3633 W. MacArthur Blvd., Suite 412
Santa Ana, CA 92704
USA

www.bokam.com
Phone: 714-513-2200
Fax: 714-513-2204
e-mail: sales@bokam.com